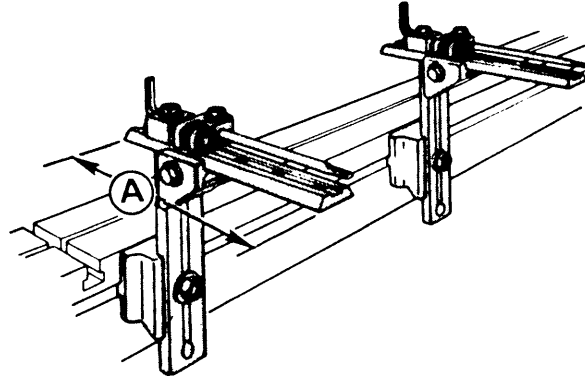


CINCINNATI GAGES

Prices F.O.B. our Shop – Whitewater, Ohio

STANDARD GAGES

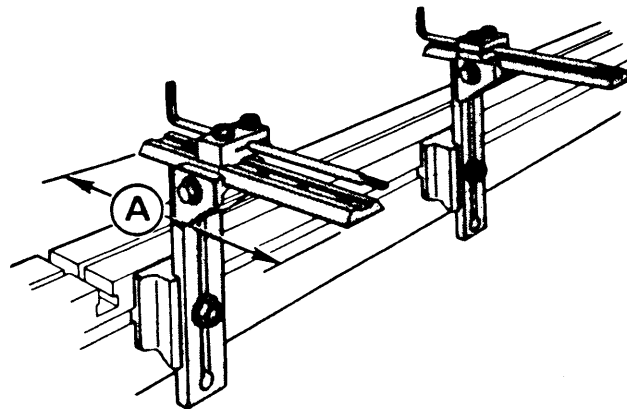


Standard Gages With Micrometers

(Adjustment to the Gage Rod)

CAT NO.	SLIDE (A)	STANDARD SLIDE BLOCKS (Price Per Pair)
G10	15".....	\$ 1,820
G11	24".....	\$ 1,970
G12	36".....	\$ 2,040

CAT NO.	SLIDE (A)	SLIDE BLOCKS FOR AUTO CROWN' (Price Per Pair)
G10	15".....	\$ 2,370
G11	24".....	\$ 2,500
G12	36".....	\$ 2,690

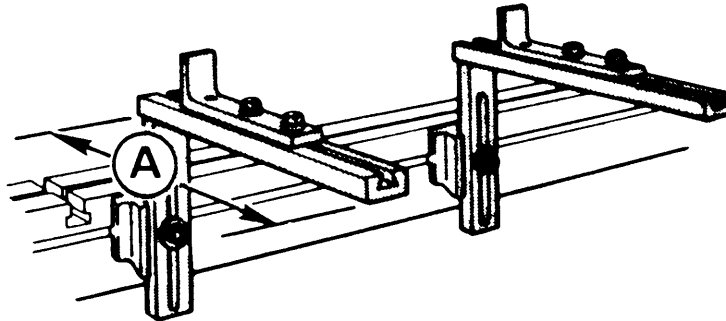


Standard Gages Without Micrometers

CAT NO.	SLIDE (A)	STANDARD SLIDE BLOCKS (Price Per Pair)
G15	15".....	\$ 1,250
G16	24".....	\$ 1,400
G17	36".....	\$ 1,480

CAT NO.	SLIDE (A)	SLIDE BLOCKS FOR AUTO CROWN' (Price Per Pair)
G15	15".....	\$ 1,790
G16	24".....	\$ 1,950
G17	36".....	\$ 2,030

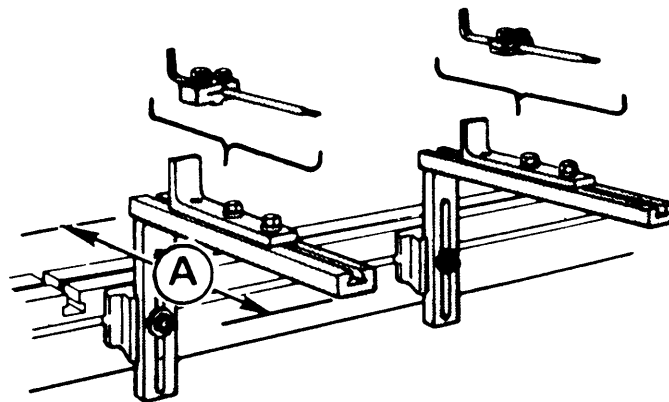
HEAVY DUTY GAGES



Heavy Duty Gages

CAT NO.	SLIDE (A)	STANDARD SLIDE BLOCKS (Price Per Pair)
G20	24".....	\$ 1,080
G21	36".....	\$ 1,250
G22	48".....	\$ 1,410

CAT NO.	SLIDE (A)	SLIDE BLOCKS FOR AUTO CROWN (Price Per Pair)
G20	24".....	\$ 1,610
G21	36".....	\$ 1,790
G22	48".....	\$ 1,940

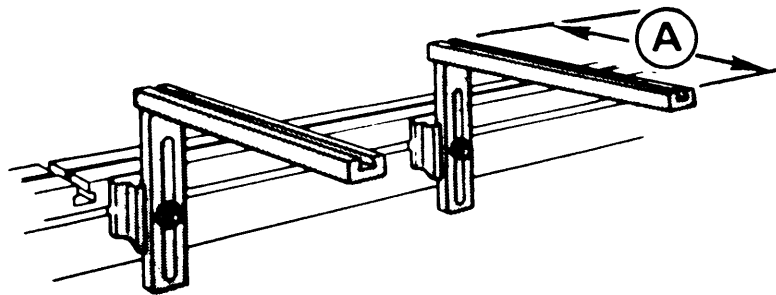


Heavy Duty Gages With Gage Rod

CAT NO.	SLIDE (A)	STANDARD SLIDE BLOCKS (Price Per Pair)
G25	24".....	\$ 1,310
G26	36".....	\$ 1,470
G27	48".....	\$ 1,640

CAT NO.	SLIDE (A)	SLIDE BLOCKS FOR AUTO CROWN (Price Per Pair)
G25	24".....	\$ 1,870
G26	36".....	\$ 2,410
G27	48".....	\$ 2,540

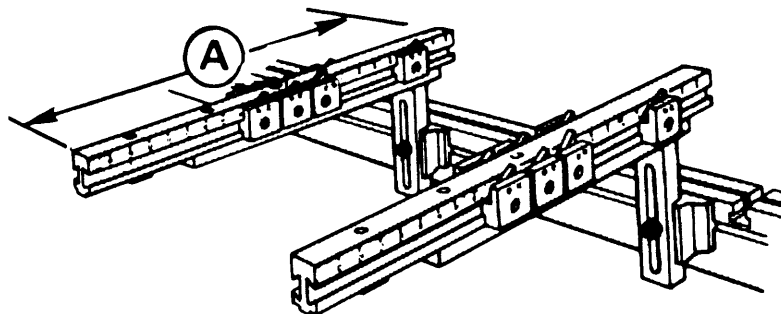
HEAVY DUTY GAGES



Work Support Brackets

CAT NO.	SLIDE (A)	STANDARD SLIDE BLOCKS (Price Per Pair)
G60	24".....	\$ 690
G61	36".....	\$ 860
G62	48".....	\$ 1,020

CAT NO.	SLIDE (A)	SLIDE BLOCKS FOR AUTO CROWN'(Price Per Pair)
G60	24".....	\$ 1,230
G61	36".....	\$ 1,410
G62	48".....	\$ 1,560



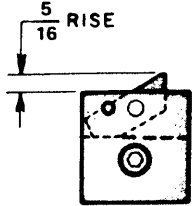
Adjustable Flip Gages
Double Dovetail Gage Arms on 24" Heavy Duty Brackets

CAT NO.	SLIDE (A)	STANDARD SLIDE BLOCKS (Price Per Pair)
G30	24".....	\$ 1,420
G31	36".....	\$ 1,780
G32	48".....	\$ 1,940

CAT NO.	SLIDE (A)	SLIDE BLOCKS FOR AUTO CROWN'(Price Per Pair)
G30	24".....	\$ 1,970
G31	36".....	\$ 2,300
G32	48".....	\$ 2,480

NOTE: DOES NOT INCLUDE FLIP GAGES OR PINS

GAGE ASSEMBLY "A"



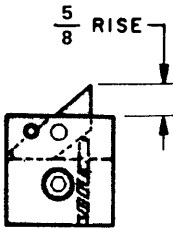
Flip Gage (5/16 Rise)

#G40 Price Per Gage

Note: Mounts on Dovetail Gage Arm
G40.....\$ 100

Note: Mounts on Dovetail Gage Arms

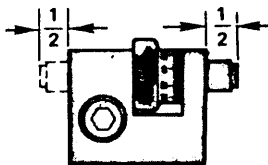
GAGE ASSEMBLY "B"



Flip Gage (5/8 Rise)

#G41 Price Per Gage

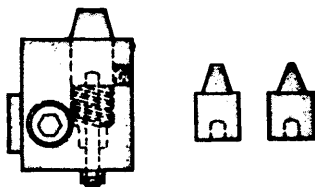
G41.....\$ 130
Note: Mounts on Dovetail Gage Arms



Micro Adjuster (Flip Gages or Pin Gages)

#G42 Price Per Gage

G42.....\$ 520
Note: Mounts on Dovetail Gage Arms

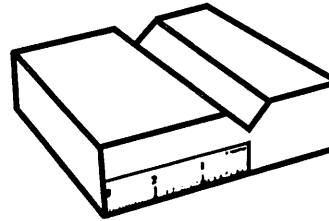


Spring-Loaded Pin Gage

(Capacity 3/16" - 3/4" Hole)

#G46 Price Per Gage

G46.....\$ 280
Note: Mounts on Dovetail Gage Arms



Setup Gage

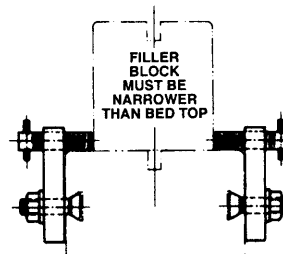
(Price Per Gage).....\$ 190



Adjustable Support Stand

#G50 Price Per Pair

G50.....\$ 370
Note: Required for Dovetail Gage Arm 4' and Greater



Die Aligners

(For Aligning Filler Blocks and keyless Dies on the Bed. Designed to Fit Dovetail Slots in Standard Bed)

Price Per Set of Six.....\$ 460



Lifting Device

(For Turning Four way Dies)

Inside Mounted for Dies shorter than Ram
Price Per Set of Two.....\$ 420

Note: Specify Height Of Upper Die when Ordering

Outside Mounted for Dies with Same Length as Ram
Price Per Set of Two.....\$ 250

Note: Specify Height Of Upper Die when Ordering
Includes 2 pins for welding to Ram